

Series K

LANDWELL
Smart Security



Unlock Style and Simplicity: Embrace the Trendsetting Key Cabinet

Product features

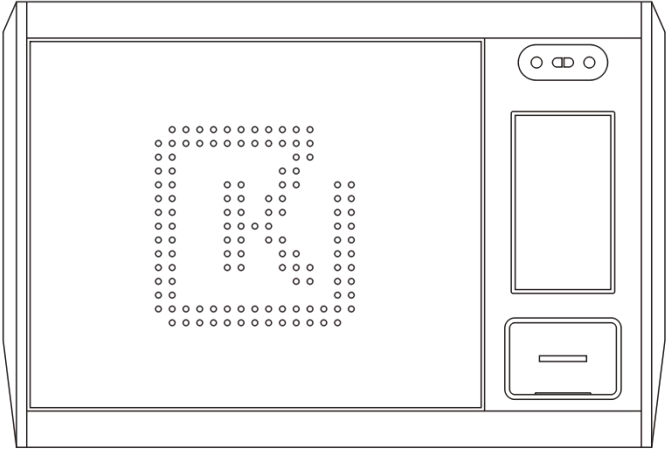
- Plug and play
- User-friendly web-based key management software solution
- Networked or Standalone
- Notification emails
- Audible and visual alarms
- Multi-authentication supported
- Mechanical lock and internal memory backup during power outages
- Reliable anti-tamper cable seals for enhanced security
- 5 years warranty included
- No License Fees for software

Series K

Specifications

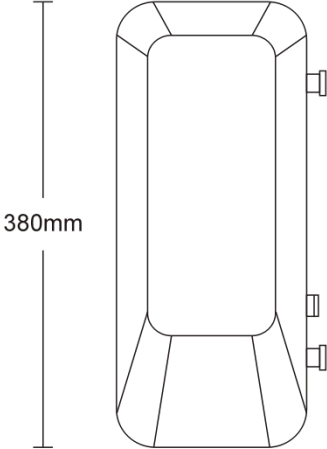
Modelsu	Capacity	Dimensions	Net weight
K26	26 key positions	566 (W) x 380 (H) x 177 (D) mm	17 kg
K8	8 key positions	430 (W) x 380 (H) x 177 (D) mm	13.5 kg
Construction			
Material	Mixed material -Chassis: 1.5 mm steel, powder coated -Top/Bottom: aluminum extrusion (color options) -Sides: ABS plastic, powder coated		
Color	black & white / wood grain (optional)		
Door	Steel door with hole / Solid steel (options)		
Door Lock	Electric Motor Freezer Lock		
Key Tag	Plastic flat tag with security seal		
Key panel pattern	K26: Alternating rows of 7 and 6 K8: Alternating rows of 4		
Spacing of key positions	Horizontal: 38mm Vertical: 67mm		
LEDs	3 possible states per key position - Blue: access granted - Red: alarm - Off: no access		
Mounting	Wall mount		
Power			
Power supply	Input: 110V - 240V AC Output: 12V DC		
Power consumption	12V 2amp max		
Certifications	CE, FCC, RoHS, ISO9001		
Controller			
Operating system	based on Android		
Display	7" touch screen		
Data storage	RAM 1GB + ROM 8GB		
Server	Cloud platform / Local server		
RFID type	125Khz / 13.56Mhz (optional)		
Cabinet access	PIN code, Card ID, Fingerprint, Face recognition (Optional combination of any two methods for authentication)		
Communications			
Network	Ethernet TCP/IP / Wifi		
USB	Support		

Series K
K26



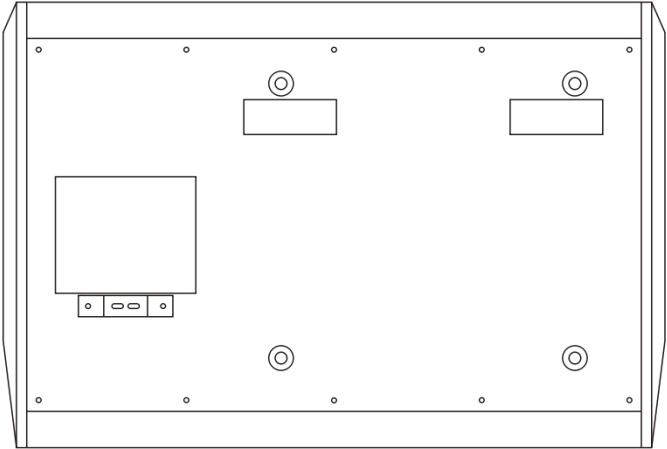
566mm

Front View

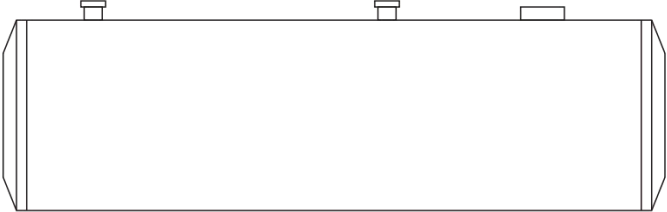


177mm

Side View

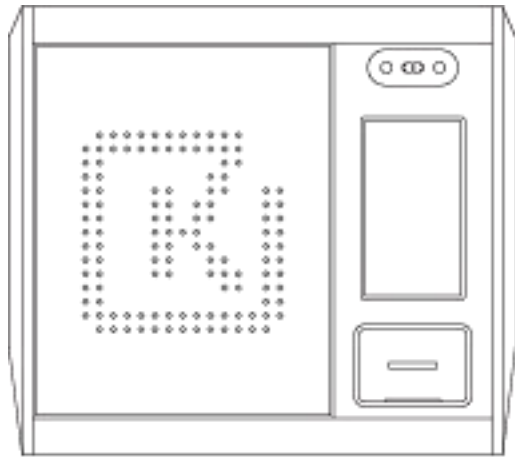


Rear View



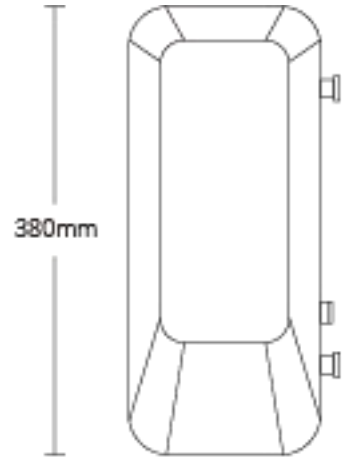
Top View

Series K K8



430mm

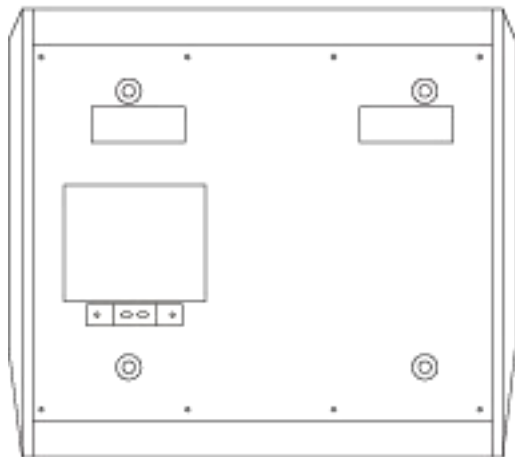
Front View



380mm

177mm

Side View



Rear View



Top View